

FP-108-ST/DC

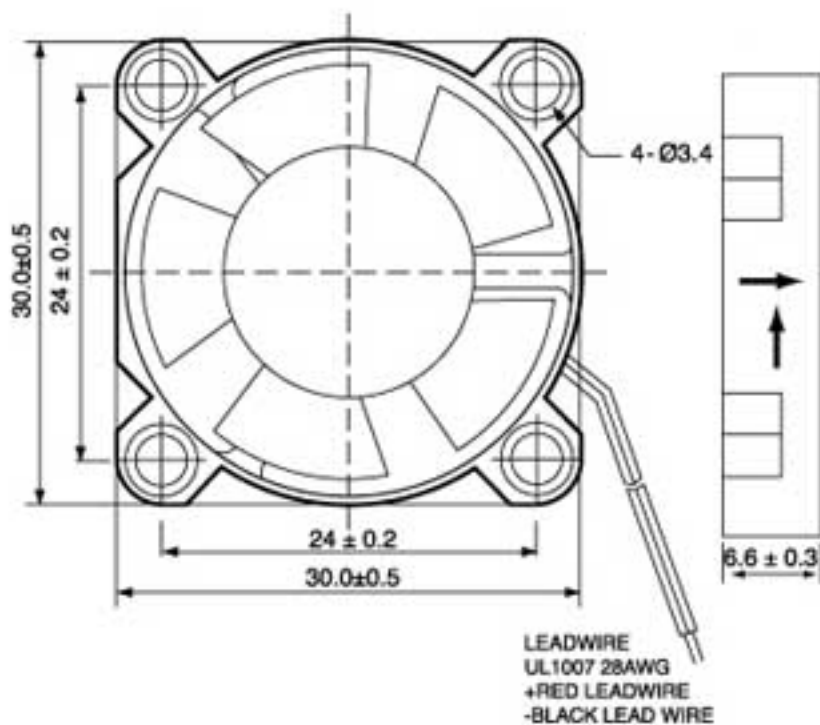
30 x 30 x 6 mm

DESIGN FEATURES

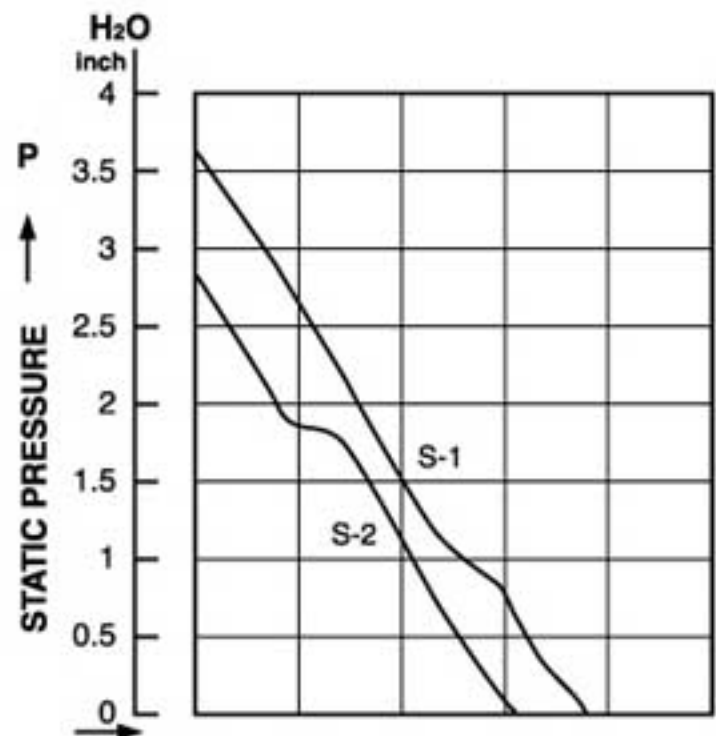
- * **Bearing System:**
Sleeve & ball bearing
- * **Impeller:**
Plastic with fiber glass filed UL 94V-0
- * **Housing:**
Plastic with fiber glass filed UL 94V-0
- * **Motor:**
Brushless DC
- * **Connecting:**
Wire leads
- * Available FG Type for Speed Sensor Signal



Dimensions: mm



Performance



Specification

MODEL NO.	VOLTAGE (VDC)	AIR (CFM)	VOLUME (M ³ /MIN)	CURRENT (A)	POWER (W)	SPEED (RPM)	STATIC PRESSURE (INCH-H ₂ O)	NOISE (dBA)
FP-108ST/DC	5	3.90	0.11	0.20	1.00	8000	3.60	26
(S-1)	12	3.90	0.11	0.12	1.44	8000	3.60	26
FP-108ST/DC	5	3.10	0.088	0.12	0.60	6000	2.80	20
(S-2)	12	3.10	0.088	0.10	1.20	6000	2.80	20