

# FP-108-RT/DC

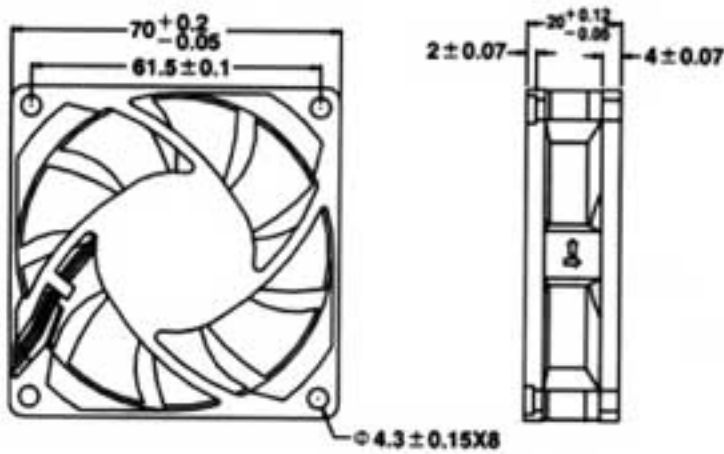
70 x 70 x 20 mm

## DESIGN FEATURES

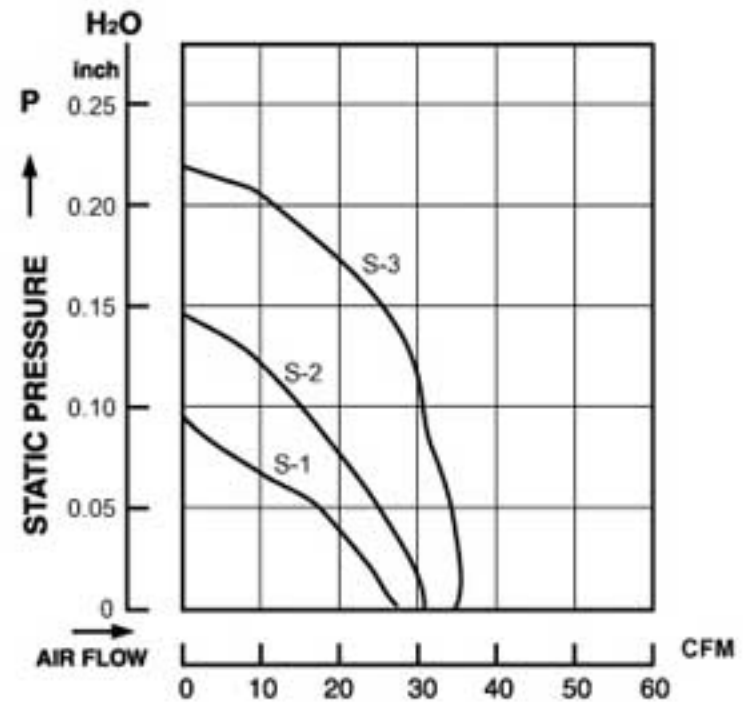
- \* **Bearing System:**  
Ball bearing & sleeve bearing
- \* **Impeller:**  
Plastic with fiber glass filed UL 94V-0
- \* **Housing:**  
Plastic with fiber glass filed UL 94V-0
- \* **Motor:**  
Brushless DC
- \* **Connecting:**  
Wire leads
- \* **Speed:**  
S-1 high speed type  
S-2 medium speed type  
S-3 medium speed type



Dimensions: mm



Performance



## Specifications

MODEL NO.	VOLTAGE (VDC)	AIR (CFM)	VOLUME (M <sup>3</sup> /MIN)	CURRENT (A)	POWER (W)	SPEED (RPM)	STATIC PRESSURE (INCH-H <sub>2</sub> O)	NOISE (dBA)
FP-108RT/DC (S-1)	12	36.0	1.02	0.30	4.60	4300	0.22	37
FP-108RT/DC (S-2)	12	30.5	0.86	0.18	2.16	3600	0.14	32
FP-108RT/DC (S-3)	12	24.5	0.69	0.15	1.80	2900	0.09	26