

FP-108-R/DC

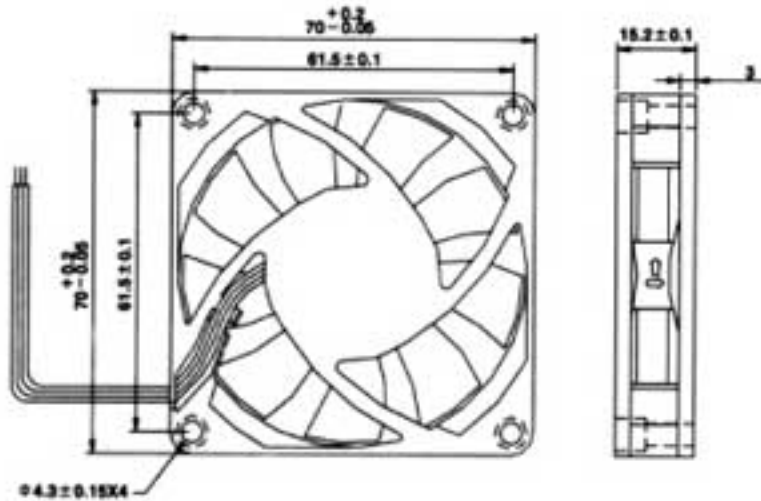
70 x 70 x 15 mm

DESIGN FEATURES

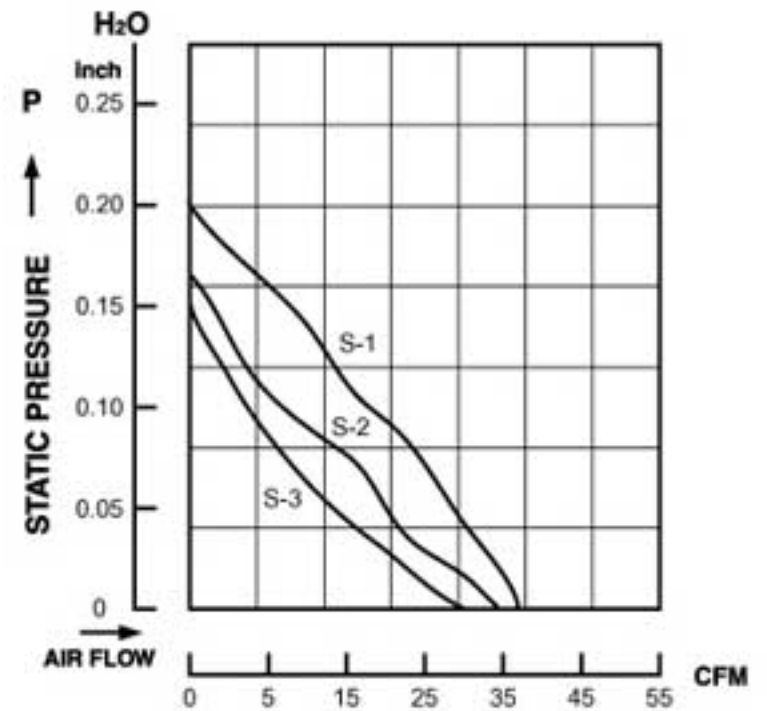
- * Bearing System:
Ball bearing & sleeve bearing
- * Impeller:
Plastic with fiber glass filed UL 94V-0
- * Housing:
Plastic with fiber glass filed UL 94V-0
- * Motor:
Brushless DC
- * Connecting:
Wire leads
- * Speed:
S-1 high speed type
S-2 medium speed type
S-3 medium speed type
- * Available FG Type for Speed Sensor Signal
- * Available RD Type for Rotor Locked Alarm Signal



Dimensions: mm



Performance



Specifications

MODEL NO.	VOLTAGE (VDC)	AIR (CFM)	VOLUME (M ³ /MIN)	CURRENT (A)	POWER (W)	SPEED (RPM)	STATIC PRESSURE (INCH-H ₂ O)	NOISE (dBA)
FP-108R/DC (S-1)	12	37	1.05	0.34	4.08	4500	0.20	39
	24	37	1.05	0.27	6.48	4500	0.20	39
FP-108R/DC (S-2)	12	35	0.98	0.28	3.36	4200	0.17	38
	24	35	0.98	0.24	5.76	4200	0.17	38
FP-108R/DC (S-3)	12	31	0.88	0.24	2.88	3800	0.15	34
	24	31	0.88	0.20	4.80	3800	0.15	34