

FP-108K

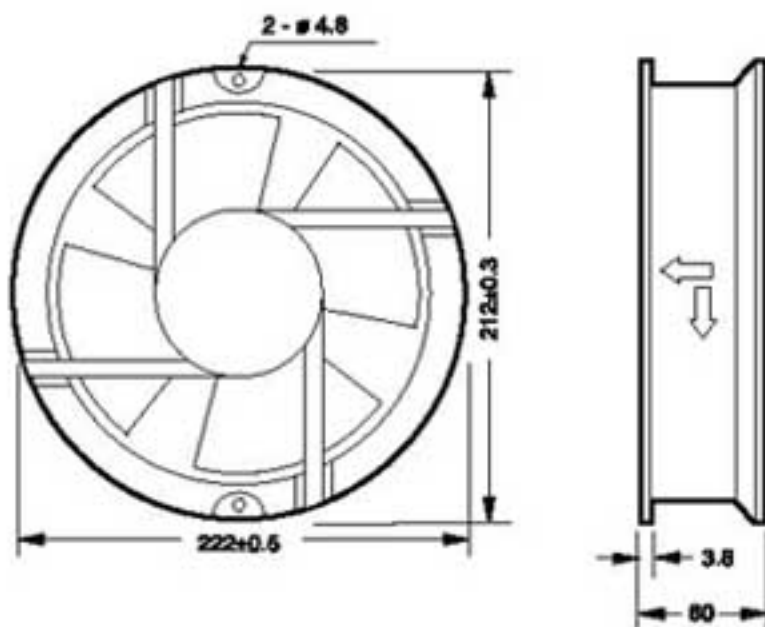
220 x 60 mm NEPTUNE

DESIGN FEATURES

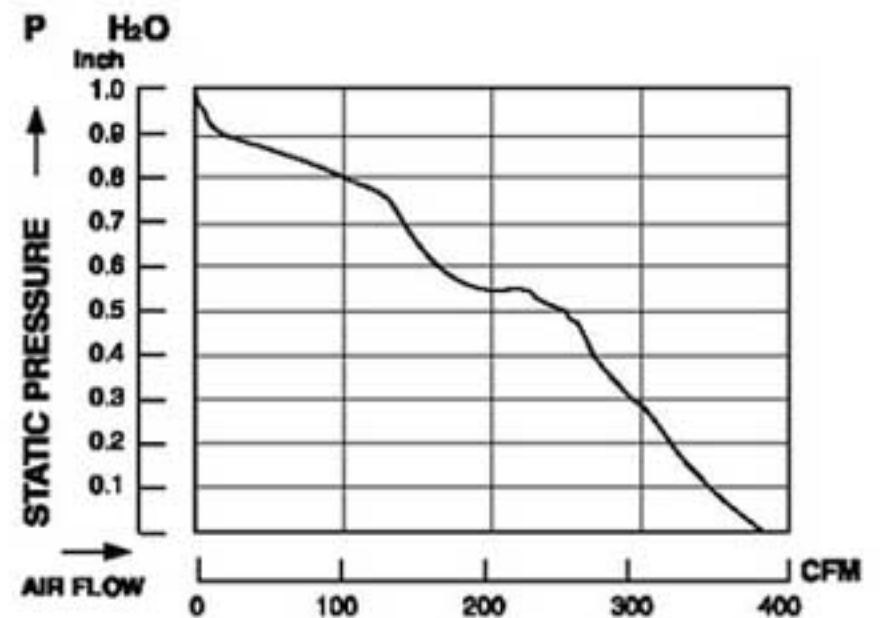
- * Bearing System:
Ball bearing
- * Impeller:
Plastic with fiber glass filed UL 94V-0
- * Housing:
Die cast aluminium painted black or natural color
- * Motor:
Shaded pole, impedance protected
- * Connecting:
Wire leads



Dimensions: mm



Performance



Specification

MODEL NO.	VOLT (VAC)	FREQUENCY (HZ)	AIR (CFM)	VOLUME (M ³ /MIN)	CURRENT (A)	POWER (W)	SPEED (RPM)	STATIC PRESSURE (INCH-H ₂ O)	NOISE (dBA)
FP-108K	110/120	50	360	10.20	0.70	52	2400	0.9	56
FP-108K	220/240	50	360	10.20	0.30	44	2400	0.9	56