

FP-108-J/DC-A

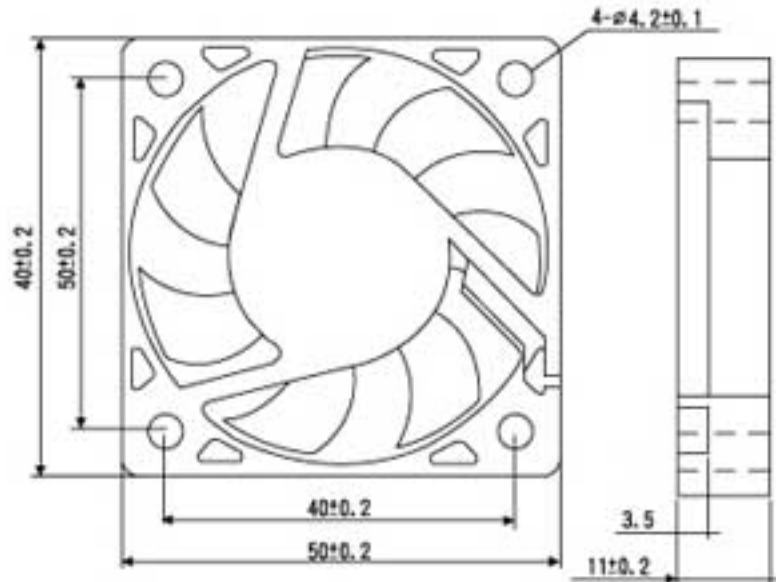
50 x 50 x 10 mm

DESIGN FEATURES

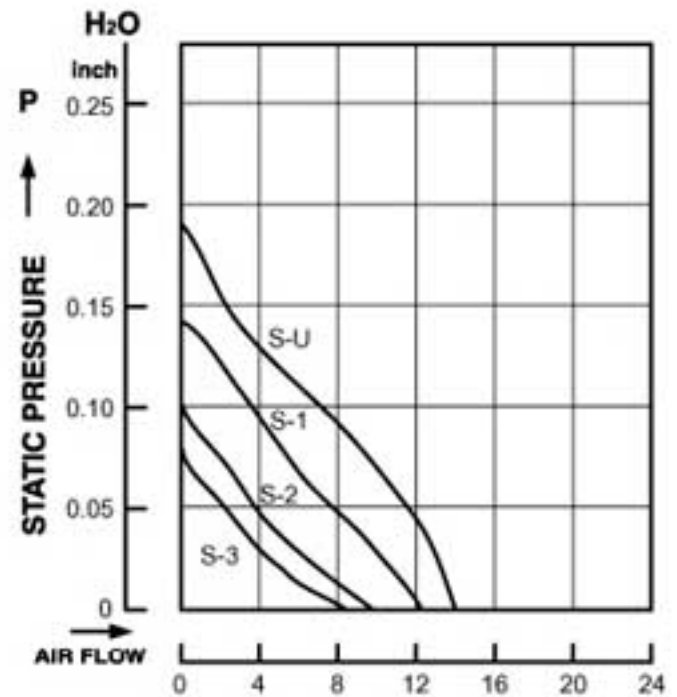
- * Bearing System:
Ball bearing
- * Impeller:
Plastic with fiber glass filed UL 94V-0
- * Housing:
Plastic with fiber glass filed UL 94V-0
- * Motor:
Brushless DC
- * Connecting:
Wire leads
- * Speed:
S-U ultra type
S-1 high speed type
S-2 medium speed type
S-3 low speed type
- * Available FG Type for Speed Sensor Signal



Dimensions: mm



Performance



Specifications

MODEL NO.	VOLTAGE (VDC)	AIR (CFM)	VOLUME (M ³ /MIN)	CURRENT (A)	POWER (W)	SPEED (RPM)	STATIC PRESSURE (INCH-H ₂ O)	NOISE (dBA)
FP-108J/DC-A (S-U)	12	14.30	0.40	0.21	2.52	5800	0.19	33
FP-108J/DC-A (S-1)	5	12.30	0.35	0.30	1.50	5000	0.14	32
	12	12.30	0.35	0.14	1.68	5000	0.14	32
	24	12.30	0.35	0.12	2.88	5000	0.14	32
FP-108J/DC-A (S-2)	5	10.40	0.30	0.24	1.20	4200	0.10	26
	12	10.40	0.30	0.11	1.32	4200	0.10	26
	24	10.40	0.30	0.10	2.40	4200	0.10	26
FP-108J/DC-A (S-3)	5	8.40	0.24	0.18	0.90	3400	0.07	23
	12	8.40	0.24	0.08	0.96	3400	0.07	23
	24	8.40	0.24	0.08	1.92	3400	0.07	23