

FP-108-IT/DC

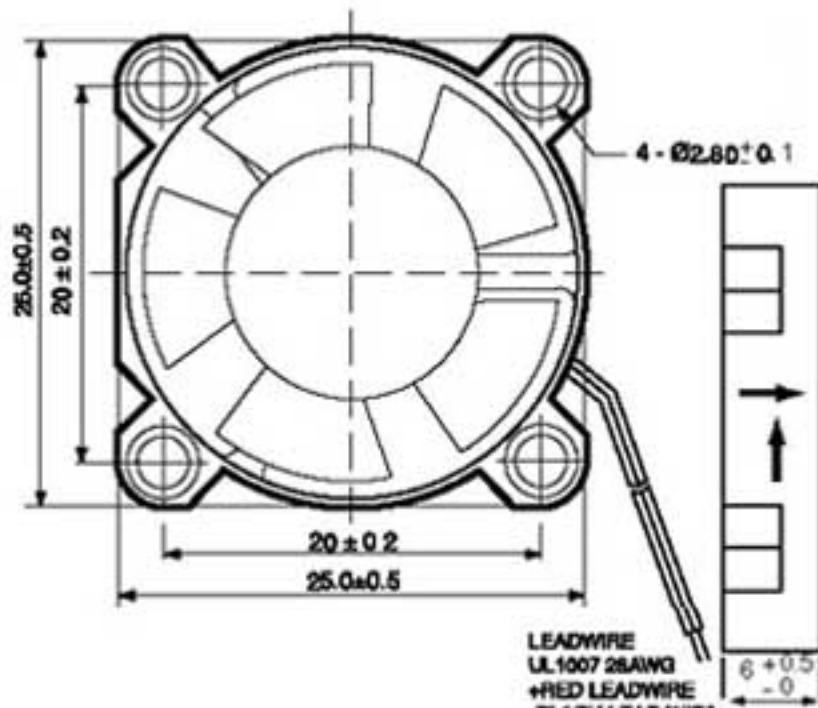
25 x 25 x 6 mm

DESIGN FEATURES

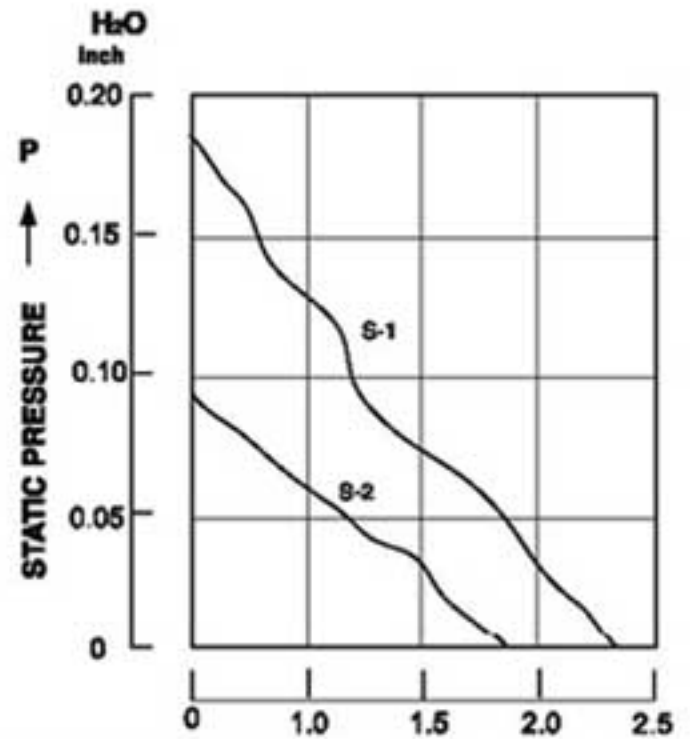
- * Bearing System:
Ball bearing
- * Impeller:
Plastic with fiber glass filed UL 94V-0
- * Housing:
Plastic with fiber glass filed UL 94V-0
- * Motor:
Brushless DC
- * Connecting:
Wire leads
- * Speed:
S-1 high speed type
S-2 medium speed type
- * Available FG Type for Speed Sensor Signal



Dimensions: mm



Performance



Specification

MODEL NO.	VOLTAGE (VDC)	AIR (CFM)	VOLUME (M ³ /MIN)	CURRENT (A)	POWER (W)	SPEED (RPM)	STATIC PRESSURE (INCH-H ₂ O)	NOISE (dBA)
FP-108IT/DC	5	2.40	0.067	0.13	0.650	12000	0.183	26
(S-1)	12	2.40	0.067	0.09	0.45	12000	0.183	26
FP-108IT/DC	5	1.8	0.051	0.08	0.40	9000	0.098	20.5
(S-2)	12	1.8	0.051	0.06	0.12	9000	0.098	20.5