

FP-108-I/DC

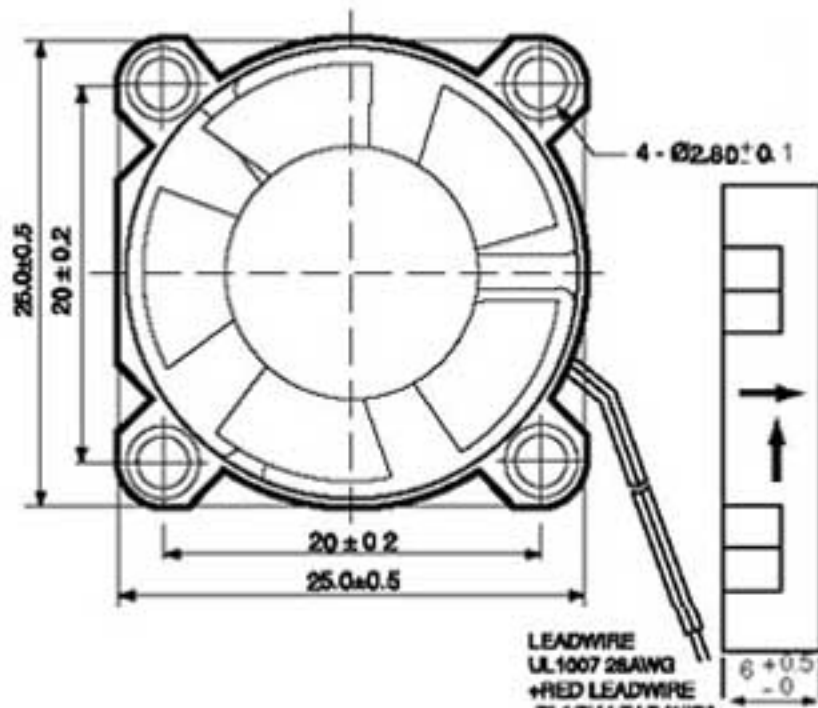
25 x 25 x 10 mm

DESIGN FEATURES

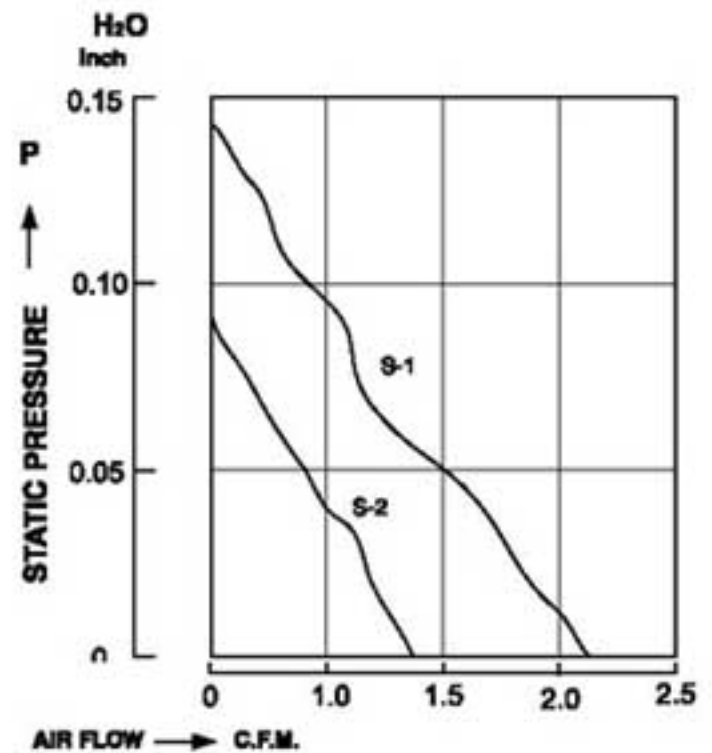
- * **Bearing System:**
Sleeve & ball bearing
- * **Impeller:**
Plastic with fiber glass filed UL 94V-0
- * **Housing:**
Plastic with fiber glass filed UL 94V-0
- * **Motor:**
Brushless DC
- * **Connecting:**
Wire leads
- * **Speed:**
S-1 high speed type
S-2 medium speed type
- * Available FG Type for Speed Sensor Signal



Dimensions: mm



Performance



Specification

MODEL NO.	VOLTAGE (VDC)	AIR (CFM)	VOLUME (M ³ /MIN)	CURRENT (A)	POWER (W)	SPEED (RPM)	STATIC PRESSURE (INCH-H ₂ O)	NOISE (dBA)
FP-108I/DC	5	2.10	0.06	0.11	0.55	10000	0.14	22
(S-1)	12	2.10	0.06	0.09	1.08	10000	0.14	22
FP-108I/DC	5	1.40	0.04	0.05	0.25	7000	0.07	25
(S-2)	12	1.40	0.04	0.06	0.72	7000	0.07	25