

# FP-108-HX/DC-A

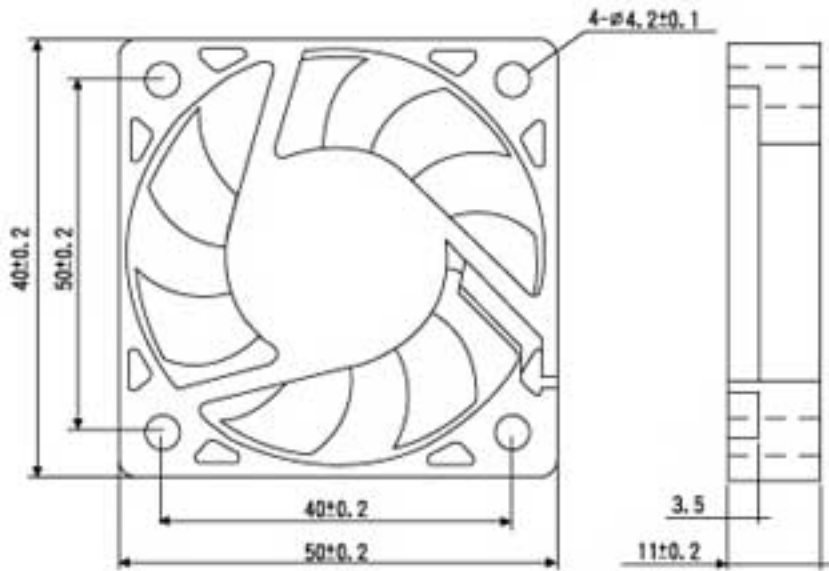
40 x 40 x 10 mm

## DESIGN FEATURES

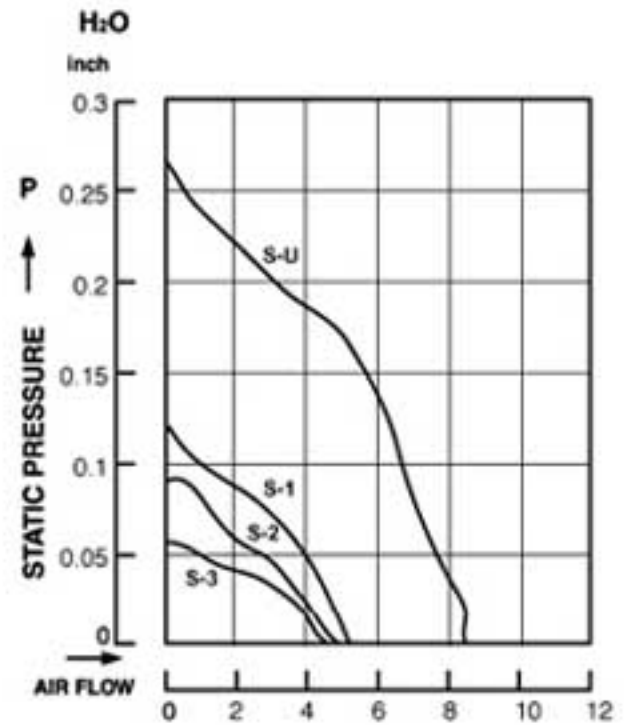
- \* **Bearing System:**  
Sleeve bearing & ball bearing
- \* **Impeller:**  
Plastic with fiber glass filed UL 94V-0
- \* **Housing:**  
Plastic with fiber glass filed UL 94V-0
- \* **Motor:**  
Brushless DC
- \* **Connecting:**  
Wire leads
- \* **Speed:**  
S-U ultra type  
S-1 high speed type  
S-2 medium speed type  
S-3 low speed type
- \* Available FG Type for Speed Sensor Signal



Dimensions: mm



Performance



Specifications

MODEL NO.	VOLTAGE (VDC)	AIR (CFM)	VOLUME (M <sup>3</sup> /MIN)	CURRENT (A)	POWER (W)	SPEED (RPM)	STATIC PRESSURE (INCH-H <sub>2</sub> O)	NOISE (dBA)
FP-108HX/DC-A (S-U)	12	8.20	0.23	0.22	2.64	9000	0.27	41
FP-108HX/DC-A (S-1)	5	5.60	0.16	0.26	1.30	6000	0.12	32
	12	5.60	0.16	0.11	1.32	6000	0.12	32
	24	5.60	0.16	0.10	2.40	6000	0.12	32
FP-108HX/DC-A (S-2)	5	4.60	0.13	0.22	1.10	5000	0.09	27
	12	4.60	0.13	0.09	1.08	5000	0.09	27
	24	4.60	0.13	0.09	2.16	5000	0.09	27
FP-108HX/DC-A (S-3)	5	3.65	0.10	0.18	0.90	4000	0.06	23
	12	3.65	0.10	0.07	0.84	4000	0.06	23
	24	3.65	0.10	0.08	1.92	4000	0.06	23