

FP-108-HI/DC

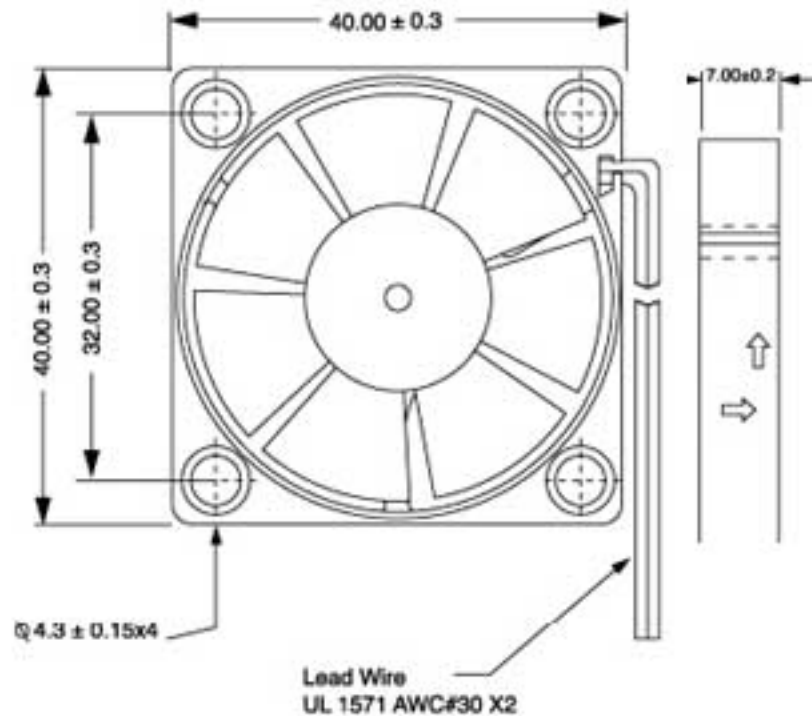
40 x 40 x 7 mm

DESIGN FEATURES

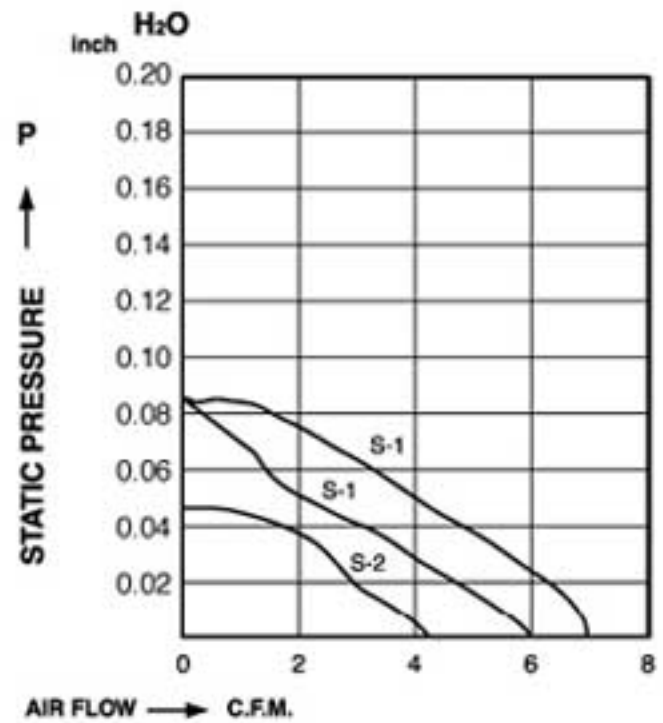
- * **Bearing System:**
Ball bearing & Sleeve bearing
- * **Impeller:**
Plastic with fiber glass filed UL 94V-0
- * **Housing:**
Plastic with fiber glass filed UL 94V-0
- * **Motor:**
Brushless DC
- * **Connecting:**
Wire leads



Dimensions: mm



Performance



Specifications

MODEL NO.	VOLTAGE (VDC)	AIR (CFM)	VOLUME (M ³ /MIN)	CURRENT (A)	POWER (W)	SPEED (RPM)	STATIC PRESSURE (INCH-H ₂ O)	NOISE (dBA)
FP-108HI/DC (S-1)	5	6.70	0.17	0.15	0.75	6500	0.084	28
FP-108HI/DC (S-1)	12	6.91	0.18	0.15	1.80	7500	0.087	29
FP-108HI/DC (S-2)	5	4.2	0.12	0.12	0.60	5500	0.045	22