

# FP-108-GT/DC

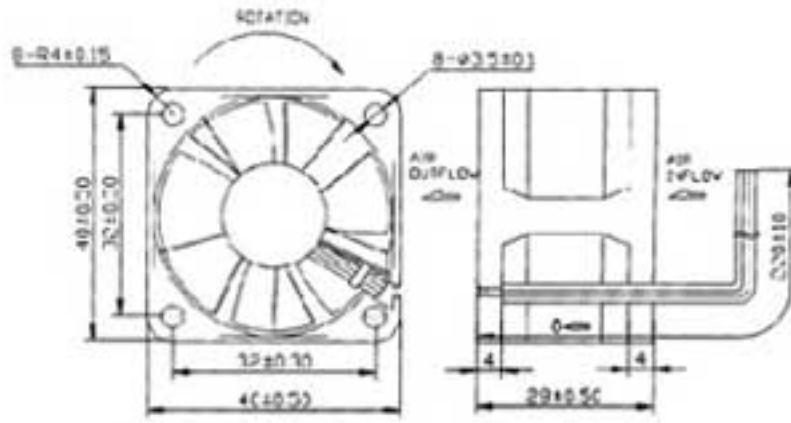
40 x 40 x 28 mm

## DESIGN FEATURES

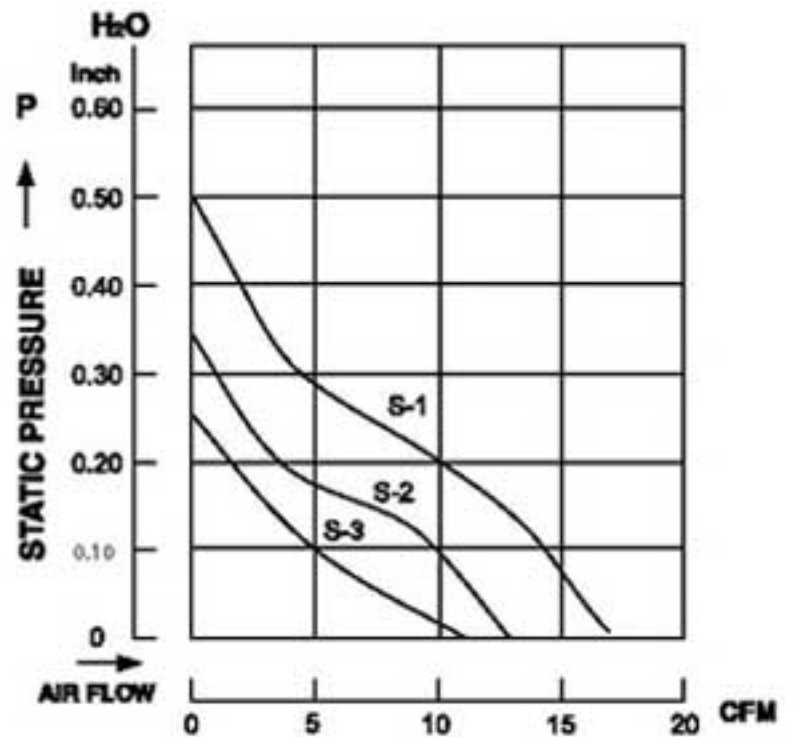
- \* **Bearing System:**  
Ball bearing & Sleeve bearing
- \* **Impeller:**  
Plastic with fiber glass filed UL 94V-0
- \* **Housing:**  
Plastic with fiber glass filed UL 94V-0
- \* **Motor:**  
Brushless DC
- \* **Connecting:**  
Wire leads
- \* **Speed:**  
S-1 high speed type  
S-2 medium speed type  
S-3 low speed type
- \* Available FG Type for Speed Sensor Signal



Dimensions: mm



Performance



## Specifications

MODEL NO.	VOLTAGE (VDC)	AIR VOLUME (CFM)	(M <sup>3</sup> /MIN)	CURRENT (A)	POWER (W)	SPEED (RPM)	STATIC PRESSURE (INCH-H <sub>2</sub> O)	NOISE (dBA)
FP-108GT/DC (S-1)	12 24	15.50	0.44	0.28 0.18	3.36 4.32	1000	0.50	43
FP-108GT/DC (S-2)	12 24	12.50	0.35	0.14 0.10	1.68 2.40	8000	0.32	38
FP-108GT/DC (S-3)	12 24	11.00	0.31	0.10 0.08	1.20 1.92	7000	0.25	35