

FP-108E/DC

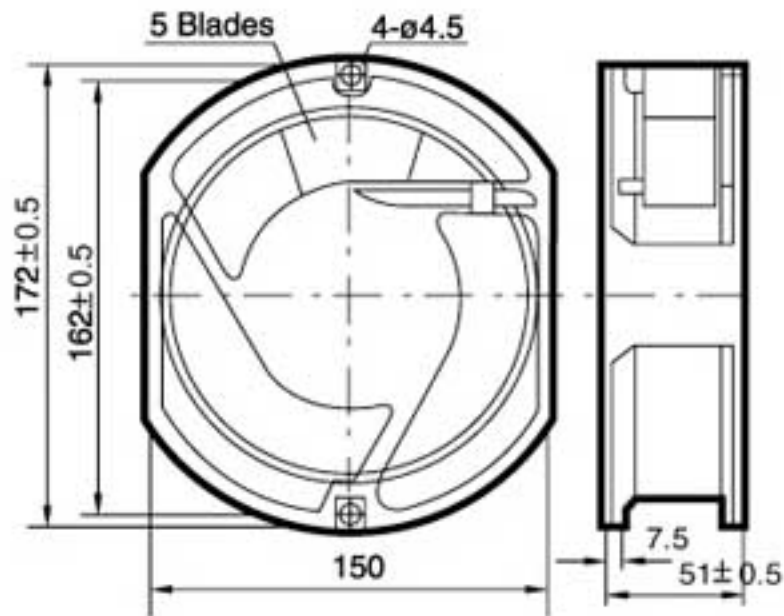
172 x 51Ø

DESIGN FEATURES

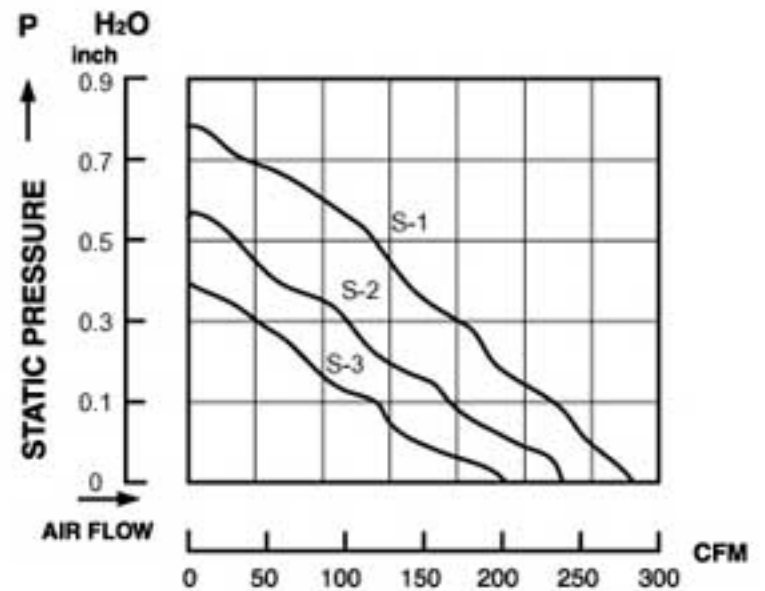
- * **Bearing System:**
Ball bearing
- * **Impeller:**
Die cast aluminum painted black or natural color
- * **Housing:**
Plastic with fiber glass filed UL 94V-0
- * **Motor:**
Brushless DC
- * **Connecting:**
Wire leads
- * **Speed:**
S-1 high speed type
S-2 medium speed type
S-3 low speed type
- * Available FG Type for Speed Sensor Signal



Dimensions: mm



Performance



Specifications

MODEL NO.	VOLTAGE (VDC)	AIR (CFM)	VOLUME (M ³ /MIN)	CURRENT (A)	POWER (W)	SPEED (RPM)	STATIC PRESSURE (INCH-H ₂ O)	NOISE (dBA)
FP-108EX/DC (S-1)	12	270	7.64	2.20	26.40	3150	0.67	60
	24	290	8.23	1.20	28.80	3400	0.78	63
	48	290	8.23	0.73	35.04	3400	0.78	63
FP-108EX/DC (S-2)	12	245	6.94	1.80	21.60	2900	0.55	58
	24	245	6.94	0.77	18.48	2900	0.55	58
	48	245	6.94	0.38	18.24	2900	0.55	58
FP-108EX/DC (S-3)	12	205	5.80	1.10	13.20	2400	0.40	53
	24	205	5.80	0.48	11.52	2400	0.40	53
	48	205	5.80	0.25	12.00	2400	0.40	53