

FP-108-DT/DC

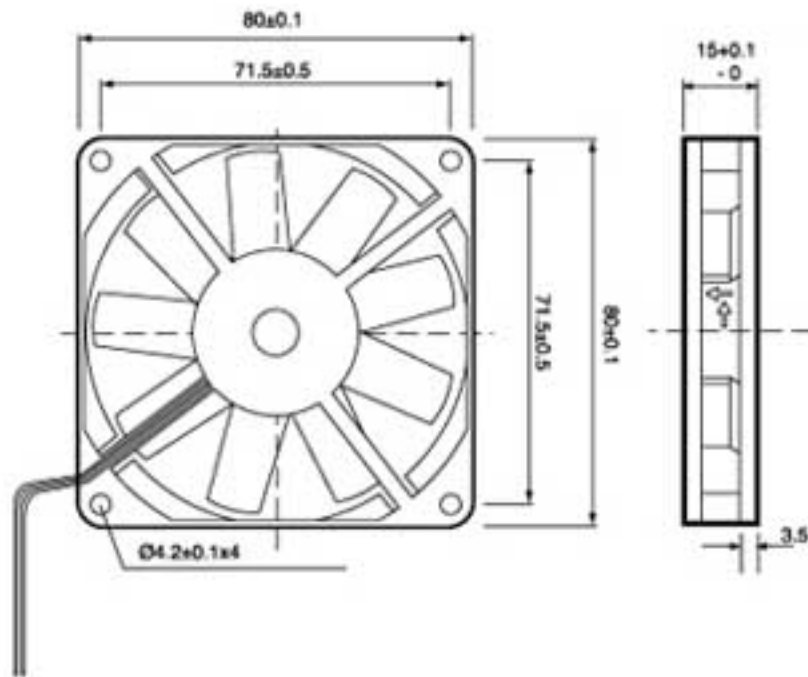
80 x 80 x 15 mm

DESIGN FEATURES

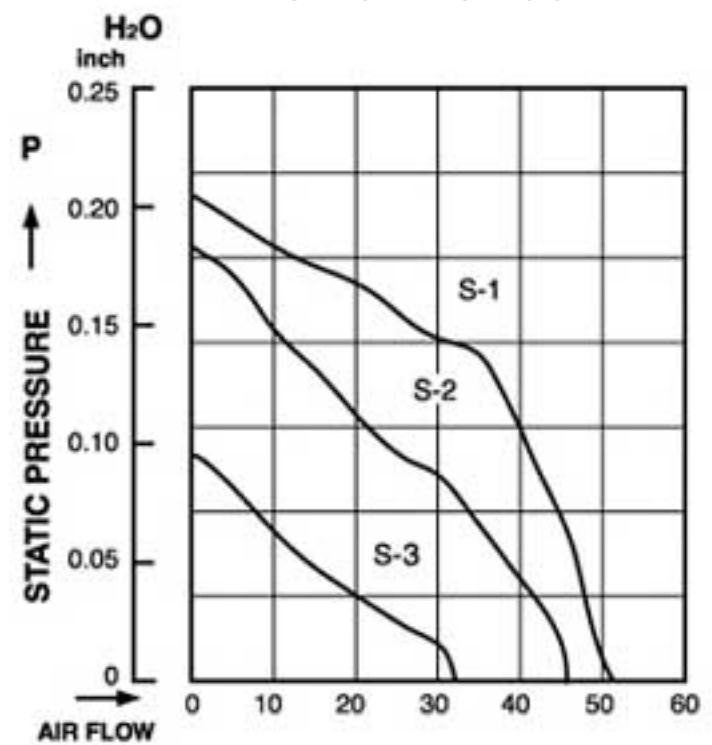
- * Bearing System:
Ball bearing & sleeve bearing
- * Impeller:
Plastic with fiber glass filed UL 94V-0
- * Housing:
Plastic with fiber glass filed UL 94V-0
- * Motor:
Brushless DC
- * Connecting:
Wire leads
- * Speed:
S-1 high speed type
S-2 medium speed type
S-3 medium speed type



Dimensions: mm



Performance



Specifications

MODEL NO.	VOLTAGE (VDC)	AIR (CFM)	VOLUME (M ³ /MIN)	CURRENT (A)	POWER (W)	SPEED (RPM)	STATIC PRESSURE (INCH-H ₂ O)	NOISE (dBA)
FP-108DT/DC (S-1)	12	51	1.44	0.45	5.40	4000	0.21	42
	24	51	1.44	0.24	5.76	4000	0.21	42
FP-108DT/DC (S-2)	12	45	1.27	0.35	4.20	3500	0.17	40
	24	45	1.27	0.18	4.32	3500	0.17	40
FP-108DT/DC (S-3)	12	32	0.91	0.17	2.04	2500	0.09	31
	24	32	0.91	0.12	2.88	2500	0.09	31