

FP-108C

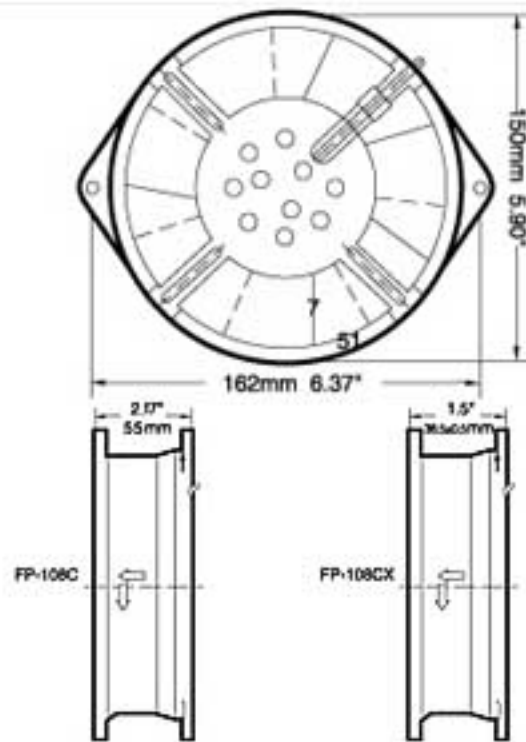
162 x 150 x 55 mm

DESIGN FEATURES

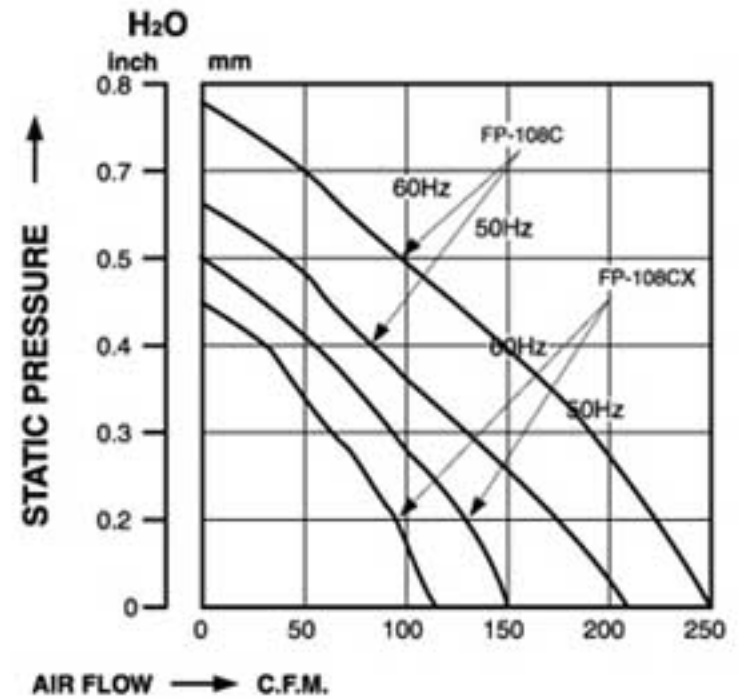
- * **Bearing System:**
Ball bearing
- * **Impeller:**
Plastic with fiber glass filed UL 94V-0
- * **Housing:**
Die cast aluminium painted black or natural color
- * **Motor:**
Shaded pole, impedance protected
- * **Connecting:**
Wire leads
- * **Speed:**
S-1 high speed type
- * **Other Voltage:**
24, 48, 100, 380AC, (50-60Hz) are available



Dimensions: mm



Performance



Specification

MODEL NO.	VOLT (VAC)	FREQUENCY (HZ)	AIR (CFM)	VOLUME (M ³ /MIN)	CURRENT (A)	POWER (W)	SPEED (RPM)	STATIC PRESSURE (INCH-H ₂ O)	NOISE (dBA)
FP-108C	110/120	50/60	210/250	5.9/7.00	0.5/0.45	38/35	2700/3000	0.63/0.79	51/54
	220/240	50/60	210/250	5.9/7.00	0.5/0.45	32/31	2700/3000	0.63/0.79	51/54
FP108CX	110/120	50/60	140/130	4.0/3.7	0.30/0.27	22/20	2300/2000	0.38/0.36	31/30
	220/240	50/60	140/130	4.0/3.7	0.18/0.16	27/24	2300/2000	0.38/0.36	31/30