

## CIC-80

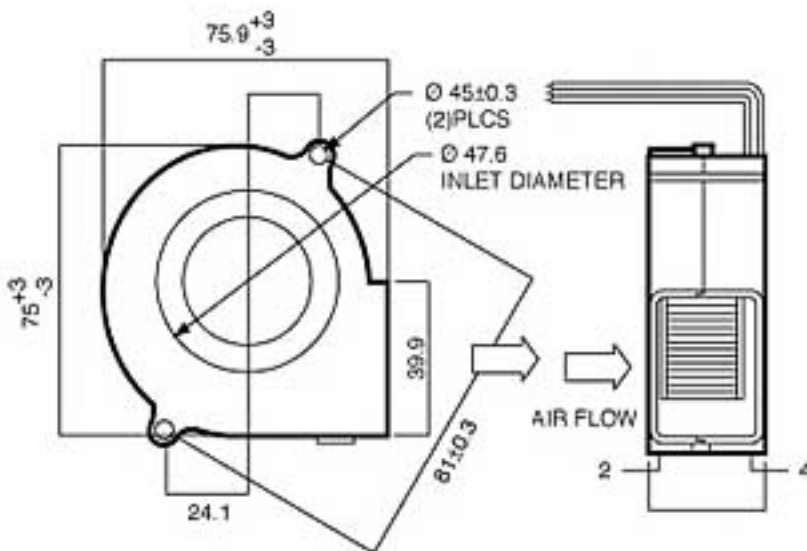
76 x 75 x 30 mm BLOWER

### DESIGN FEATURES

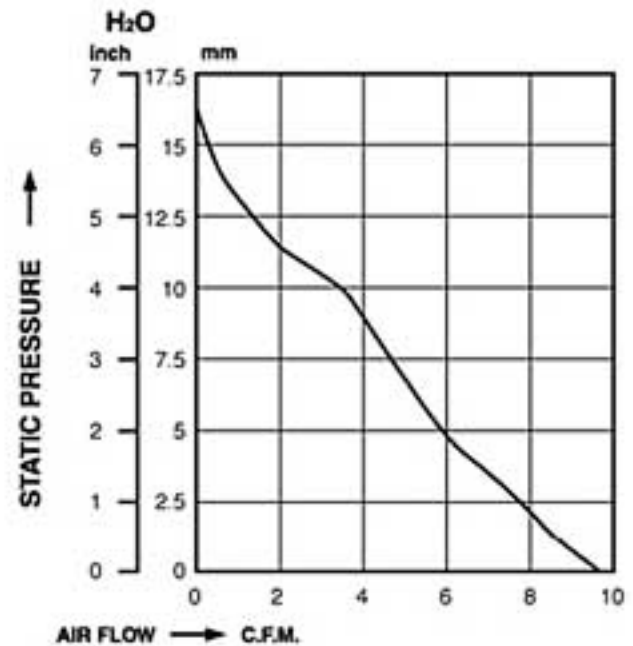
- \* **Bearing System:**  
Ball bearing & sleeve bearing
- \* **Impeller:**  
Plastic with fiber glass filed UL 94V-0
- \* **Housing:**  
Plastic with fiber glass filed UL 94V-0
- \* **Motor:**  
Brushless DC
- \* **Connecting:**  
Wire leads



Dimensions: mm



Performance



### Specifications

MODEL NO.	VOLTAGE (VDC)	AIR (CFM)	VOLUME (M <sup>3</sup> /MIN)	CURRENT (A)	POWER (W)	SPEED (RPM)	STATIC PRESSURE (INCH-H <sub>2</sub> O)	NOISE (dBA)
CIC-80	12	9.5	0.27	0.20	2.40	2900	0.23	32
CIC-80	24	9.5	0.27	0.12	2.88	2900	0.23	32