

CIC-5011
 50 x 50 x 11 mm
CIC-4507
 45 x 45 x 07 mm

DESIGN FEATURES

- * Bearing System:
Ball bearing
- * Impeller:
Plastic with fiber glass filed UL 94V-0
- * Housing:
Plastic with fiber glass filed UL 94V-0
- * Motor:
Brushless DC
- * Connecting:
Wire leads
- * Speed:
S-1 high speed type
S-2 medium speed type
- * Function:
Auto-restat & FG speed sensor signal

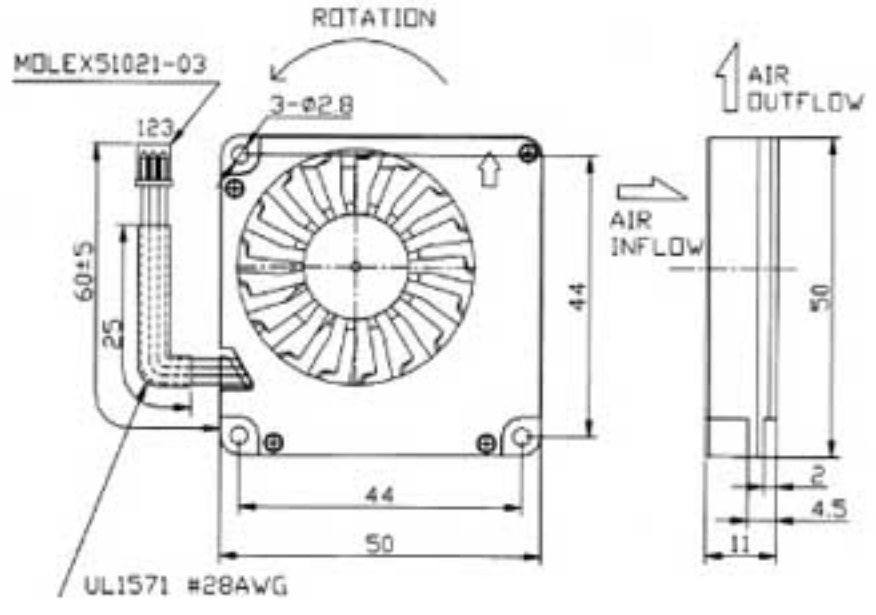
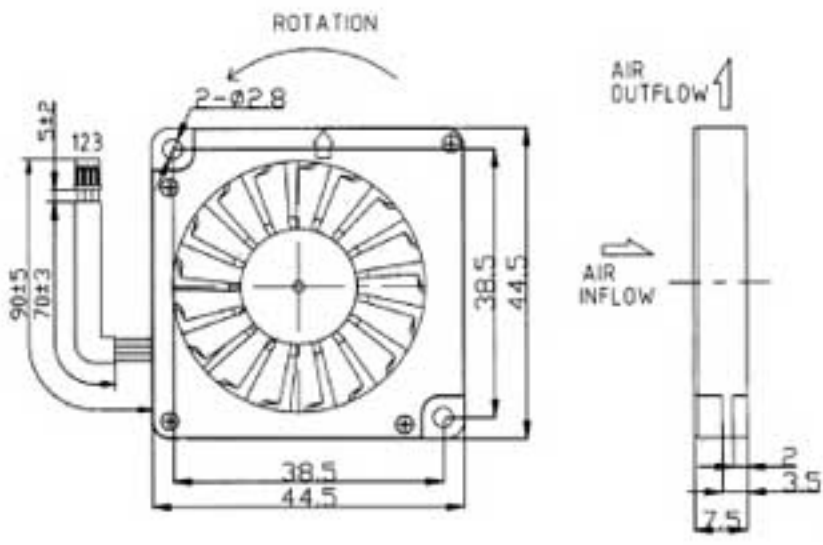
Dimensions: mm



Dimensions: mm

CIC-4507

CIC-5011



Specifications

MODEL NO.	VOLTAGE (VDC)	AIR (CFM)	VOLUME (M ³ /MIN)	CURRENT (A)	POWER (W)	SPEED (RPM)	STATIC PRESSURE (INCH-H ₂ O)	NOISE (dBA)
CIC-4507	5	2.90	0.082	0.19	0.95	6000	0.42	36
CIC-5215 (S-1)	5	5.20	0.147	0.23	1.15	6100	0.42	38
CIC-4507	5	2.50	0.070	0.13	0.65	5000	0.30	32
CIC-5215 (S-2)	5	4.20	0.119	0.15	0.75	5000	0.30	34