

**CIC-36B**

38Ø x 23mm

**CIC-25**

24.5Ø x 20mm

**CIC-38**

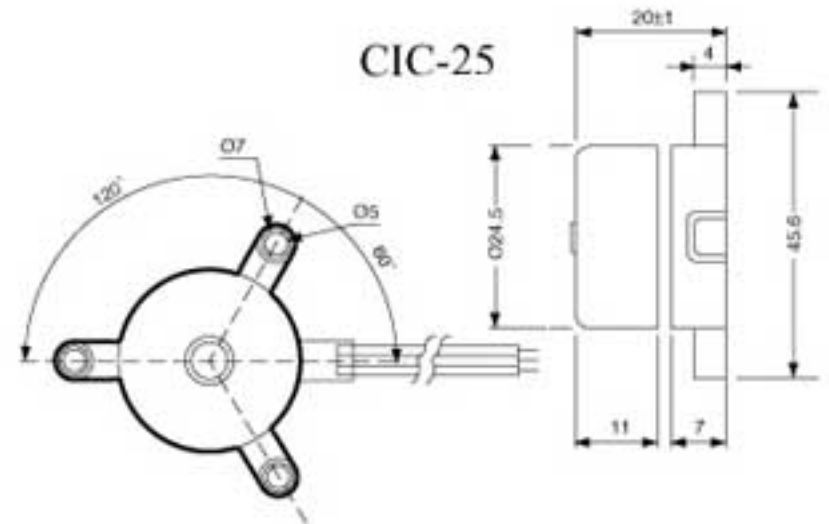
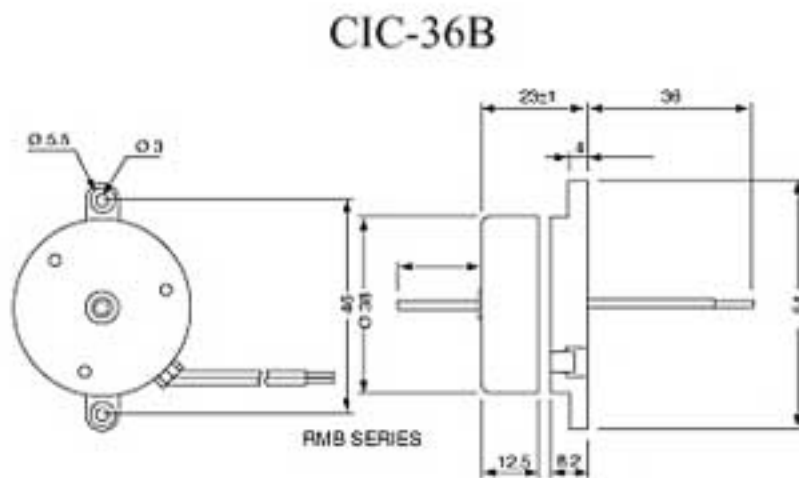
38Ø x 23mm

**DESIGN FEATURES**

- \* Bearing System:  
Sleeve bearing & ball bearing
- \* Plastic base
- \* Metal Rotor
- \* Available 24VDC
- \* Other speed available as special request

Dimensions: mm

Dimensions: mm

**Specifications**

MODEL NO.	VOLUME (VDC)	CURRENT (A)	POWER (W)	SPEED (W)
CIC-36B	12	0.08	0.96	4000
CIC-25	12	0.16	1.92	10500
	5	0.05	0.25	5000
CIC-38	12	0.11	1.32	5000