

CIC-120

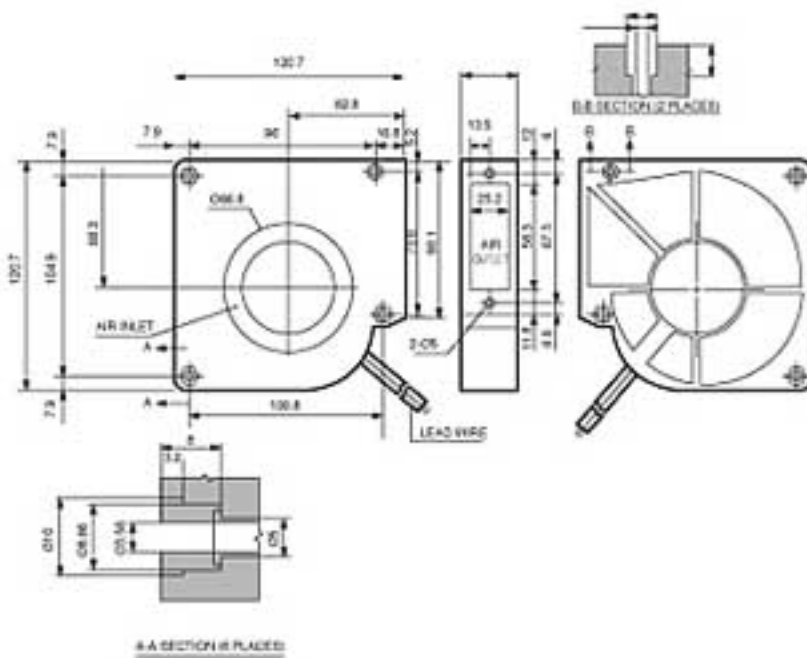
120 x 120 x 31 mm SATURN

DESIGN FEATURES

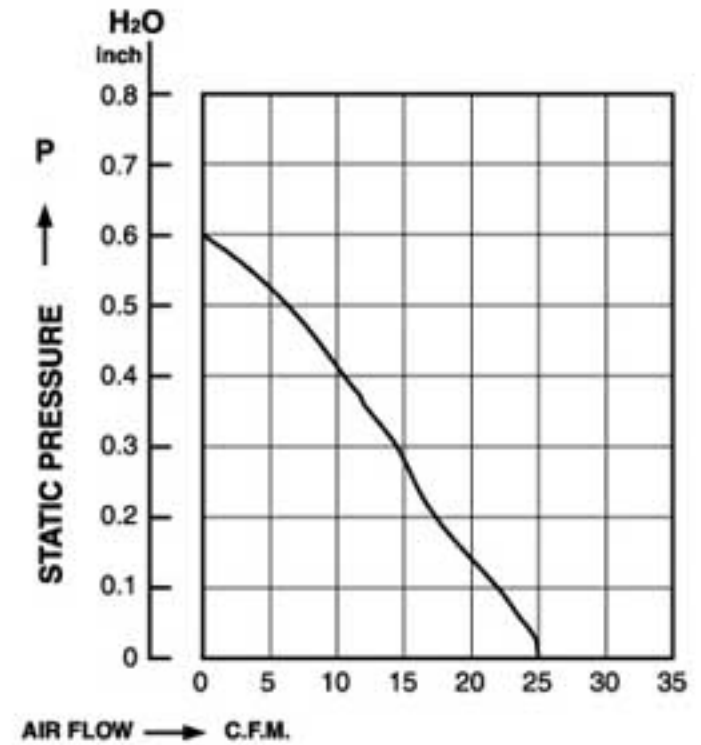
- * **Bearing System:**
Ball bearing & sleeve bearing
- * **Impeller:**
Plastic with fiber glass filed UL 94V-0
- * **Housing:**
Plastic with fiber glass filed UL 94V-0
- * **Motor:**
Brushless DC
- * **Connecting:**
Wire leads
- * Available FG type for speed sensor signal
- * Available RD type for rotor locked ACLBM signal



Dimensions: mm



Performance



Specifications

MODEL NO.	VOLTAGE (VDC)	AIR (CFM)	VOLUME (M ³ /MIN)	CURRENT (A)	POWER (W)	SPEED (RPM)	STATIC PRESSURE (INCH-H ₂ O)	NOISE (dBA)
CIC-120	12	25	0.70	0.60	7.20	2700	0.60	45
CIC-120	24	25	0.70	0.33	7.92	2700	0.60	45