

# CIC-120-A

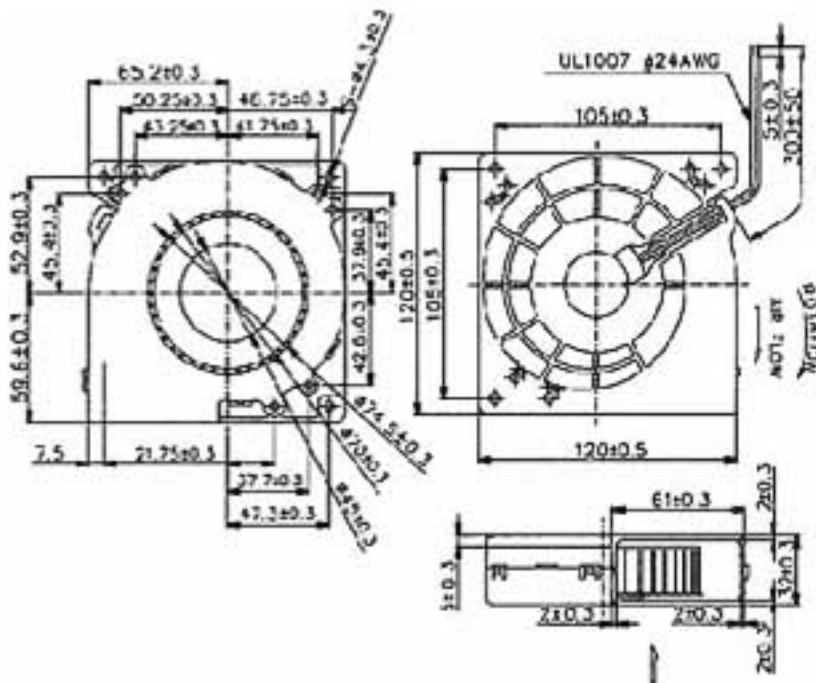
120 x 120 x 32 mm

## DESIGN FEATURES

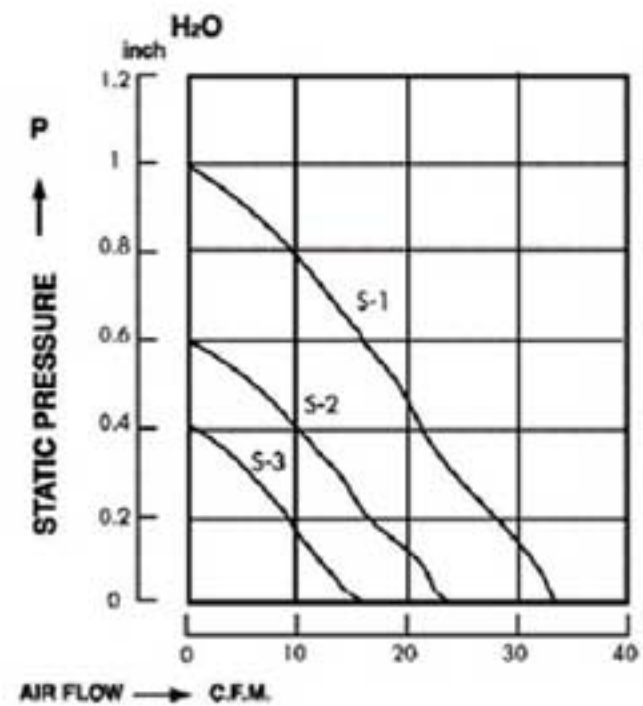
- \* **Bearing System:**  
Ball bearing & sleeve bearing
- \* **Impeller:**  
Plastic with fiber glass filed UL 94V-0
- \* **Housing:**  
Plastic with fiber glass filed UL 94V-0
- \* **Motor:**  
Brushless DC
- \* **Connecting:**  
Wire leads
- \* **Speed:**  
S-1 high speed type  
S-2 medium speed type  
S-3 low speed type
- \* Available FG type for speed sensor signal



Dimensions: mm



Performance



## Specifications

MODEL NO.	VOLTAGE (VDC)	AIR (CFM)	VOLUME (M <sup>3</sup> /MIN)	CURRENT (A)	POWER (W)	SPEED (RPM)	STATIC PRESSURE (INCH-H <sub>2</sub> O)	NOISE (dBA)
CIC-120-A	12	32.5	0.92	0.95	11.40	2800	1.00	54
(S-1)	24	32.5	0.92	0.54	12.96	1800	1.00	54
CIC-120-A	12	24.0	0.68	0.40	4.80	2000	0.60	46
(S-2)	24	24.0	0.68	0.32	7.68	2000	0.60	46
CIC-120-A	12	17.0	0.48	0.16	1.92	1400	0.40	32
(S-3)	24	17.0	0.48	0.11	2.64	1400	0.40	32